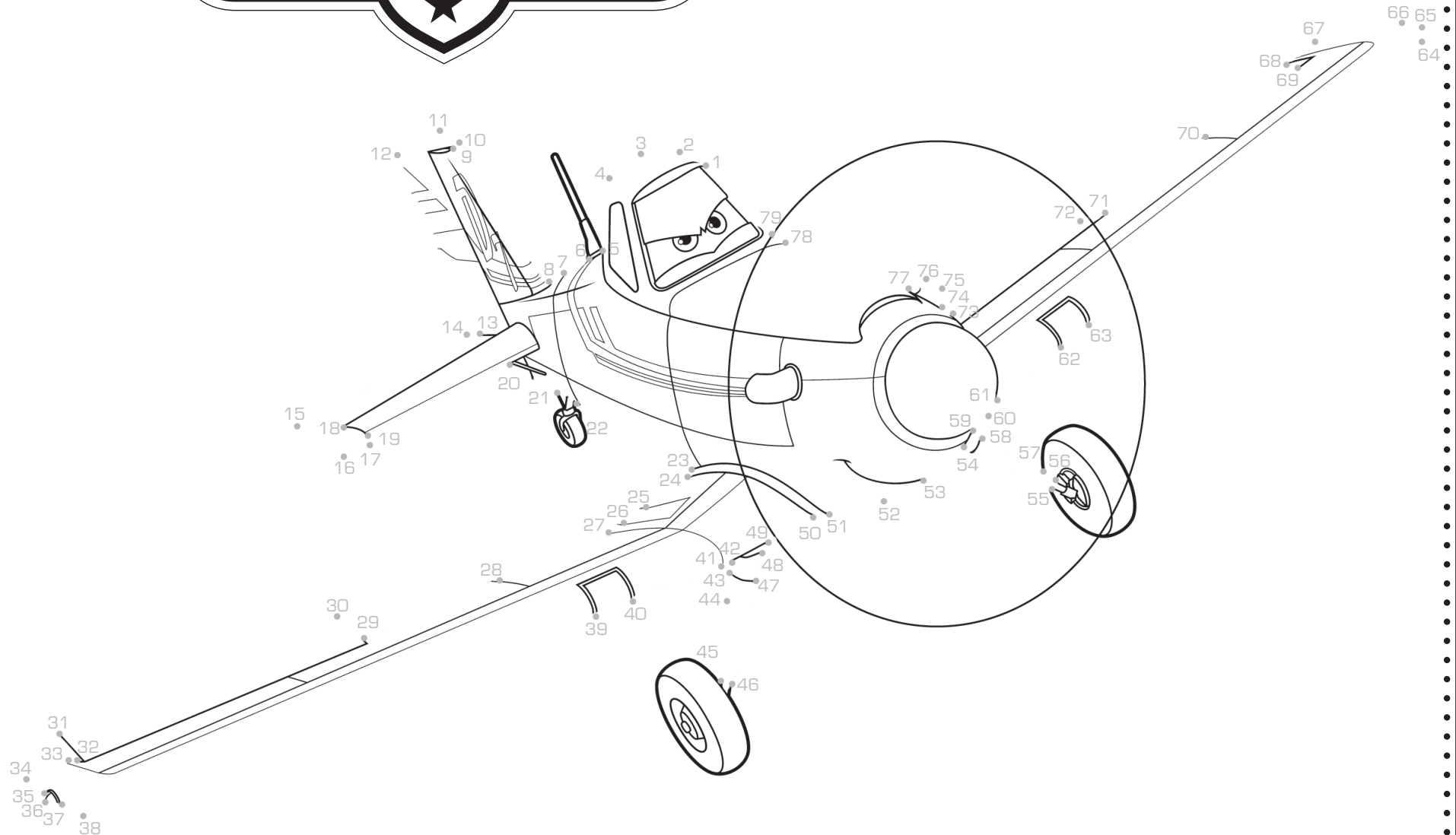




CONNECT THE DOTS!

Connect the dots below, then color!



ON BLU-RAY™ COMBO PACK & DIGITAL HD NOVEMBER 19